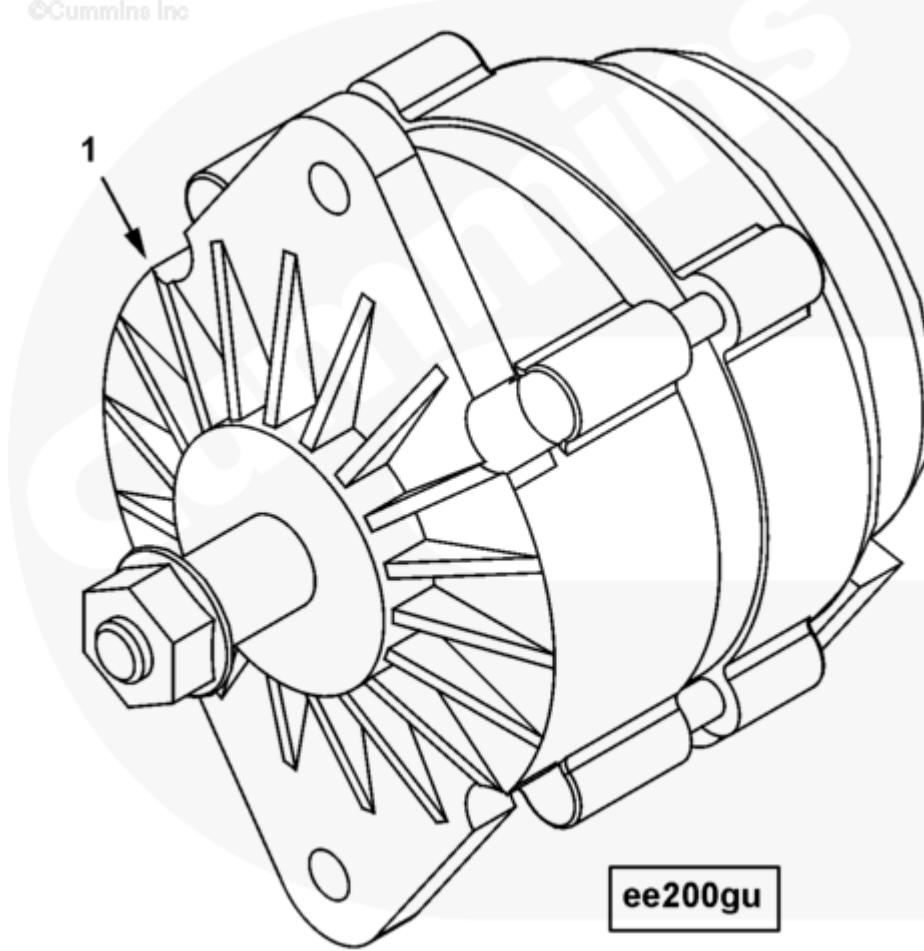




# Parts Catalog - Option Detail

| Electronic Parts Catalog - Option Detail |  |         |           |           |
|--|--|---------|-----------|-----------|
| Option                                   | Group  | Graphic | Film Card | Date      |
| EE2071                                   | 13.02  | ee200gu | II        | 13-DEC-04 |
| <b>Engines</b>                           | ISM CM570, ISM CM570/870, ISM CM875, ISM CM876, ISM CM876 E, ISM11 CM876 M103, ISM11 CM876 SN, M11 CELECT, M11 CELECT PLUS, M11 MECHANICAL, QSM11 CM570, QSM11 CM876 |         |           |           |

©Cummins Inc



ee200gu



[SMALL](#) | [MEDIUM](#) | [LARGE](#)

| Cart                         | Ref No | Part Number | Part Description | Required | Remarks                  |
|------------------------------|--------|-------------|------------------|----------|--------------------------|
| <a href="#">View My Cart</a> |        |             |                  |          |                          |
|                              |        | EE2071      | Alternator       |          |                          |
|                              |        |             |                  |          | Alternator               |
|                              |        |             |                  |          | Quantity: One            |
|                              |        |             |                  |          | Manufacturer/Model/Type: |

|                          |   |                         |            |   |                              |
|--------------------------|---|-------------------------|------------|---|------------------------------|
|                          |   |                         |            |   | Delco Remy 24 SI375          |
|                          |   |                         |            |   | Volts: 12                    |
|                          |   |                         |            |   | Amps: 160                    |
|                          |   |                         |            |   | Alternator Grounding         |
|                          |   |                         |            |   | Provision: Frame Ground Only |
|                          |   |                         |            |   | Sealing Provision: No        |
|                          |   |                         |            |   | Ground Wire Supplier:        |
|                          |   |                         |            |   | Customer                     |
|                          |   |                         |            |   | Alternator Length:           |
|                          |   |                         |            |   | 234mm (9.21 in.)             |
|                          |   |                         |            |   | Charging System: 1 Wire      |
|                          |   |                         |            |   | Battery Terminal:            |
|                          |   |                         |            |   | 5/16 D, R, or P              |
|                          |   |                         |            |   | Terminal: Packard Metripack  |
|                          |   |                         |            |   | Terminal 1 or 1              |
|                          |   |                         |            |   | Terminal:                    |
|                          |   |                         |            |   | Packard Metripack Terminal   |
|                          |   |                         |            |   | Cummins Branded: Yes         |
|                          |   |                         |            |   | Alternator Mounting Style: 4 |
|                          |   |                         |            |   | Inch Double Lug              |
|                          |   |                         |            |   | Alternator Cooling: Dual     |
|                          |   |                         |            |   | Internal Fan                 |
|                          |   |                         |            |   | Voltage Regulator: Built In. |
|                          |   |                         |            |   |                              |
| <input type="checkbox"/> | 1 | <a href="#">3972734</a> | Alternator | 1 |                              |